

FLAME CUT STEEL SHAPES AND PATTERNS

Send us your enquiry / CAD drawings to speedprofiling@sovereignsteel.com

*Call our Speed Profiling™ Pit Crew on 011 873 7251 / 7210
or visit us at www.sovereignsteel.com*

Earth's fastest steel company™



SOVEREIGNSTEEL

SPEED PROFILING™

NC Flame-cutting with Sovereign Steel Speed Profiling

Full CAD facilities with computer numerical control [CNC]
Cost saving through efficient nesting
Accuracy and quality assured with NC equipment
Breakdowns on request, same day service available
Various materials available from 5 to 250 mm
Quench and temper hardening available

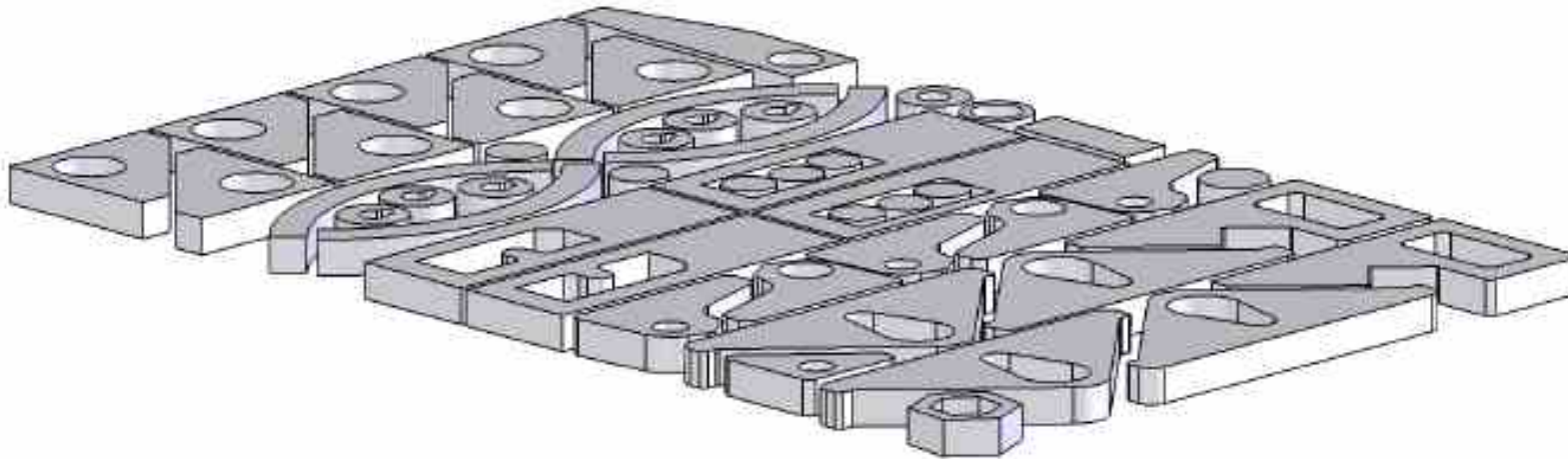
Material Grades

Commercial Quality Mild Steel
300WA / 43A
SS10/200 - Bennox
Roq-last
Roq-tuff
Boiler Plate

Maximum input size: 10 m x 2.4 m, material subject to availability

Formula

$Kg = \text{Length (m)} \times \text{Width (m)} \times \text{Thickness (mm)} \times 8.3$



Call our Speed Merchant Pit Crew on **Speed Dial 08610 STEEL** or visit us at www.sovereignsteel.com